

S150P

Single jet and domestic mechanical meter

S150P water meter is part of the velocity and single jet Honeywell's product portfolio. Designed for domestic use and following the parameters of normative ISO 4064, provides a high accuracy during the meter's lifetime.

The register has a pre-installation to install easily a bidirectional inductive pulse (check Falcon PR6 pulser data sheet) or radio integrate module (check TPR11 data sheet).

The body of this meter is made of advanced polymer material, making it lighter to transport.

The meter is available with an inclined register, making easy the reading in facilities with difficult access.



MAIN FEATURES

- Advanced polymer body.
- High protection against moisture and damage IP68.
- Magnetic transmission gearless in water.
- Dry type, 350° rotating register.
- Register with 5 number wheels for m³.
- Size 13 y 15 mm for flow of work from (Q3) 2,5m³/h.
- Available in R125 and R160 for horizontal installation and vertical R50.
- Pre-installation for bidirectional inductive pulse transmitter or radio module.
- Lengths and threads compatible with other meters models.
- Water temperature 50 °C, although the meter support 60 °C peaks up without deterioration metrological.
- Remove lid.
- Mechanical sealing system that guarantees the inviolability of the meter.
- Certificate agree with MID Directive.
- Certificate of products in contact with water for human consumption.

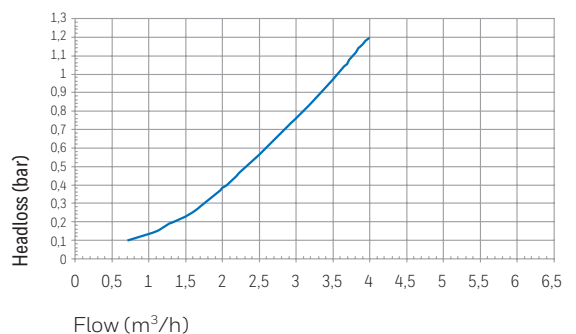
PERFORMANCE DATA

SIZE	13/15			
	R		125	160
Max. Flow Rate	Q4 (±2%)	m ³ /h	3,125	3,125
Permanent Flow Rate	Q3 (±2%)	m ³ /h	2,5	2,5
Transitional Flow Rate	Q2 (±2%)	l/h	32	25
Min. Flow Rate	Q1 (±5%)	l/h	20	15,625
Starting Flow Rate		l/h	5,5 - 5	
Press loss at Q3		bar	0,6	
Nominal Press	PN	bar	16	

OUTPUT DATA

SIZE	13/15	
Display Resolution	liter	0,05
Max. Display	m ³	99.999
Pulse output	l/p	1

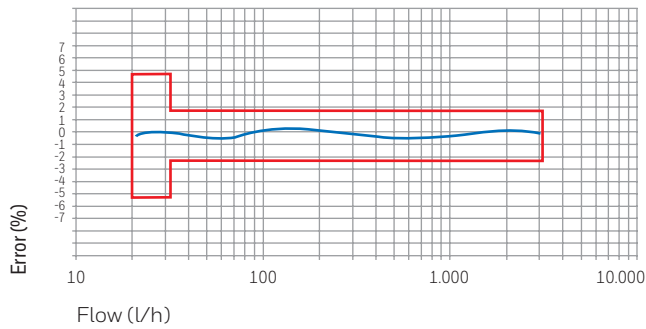
HEADLOSS



S150P Water Metering

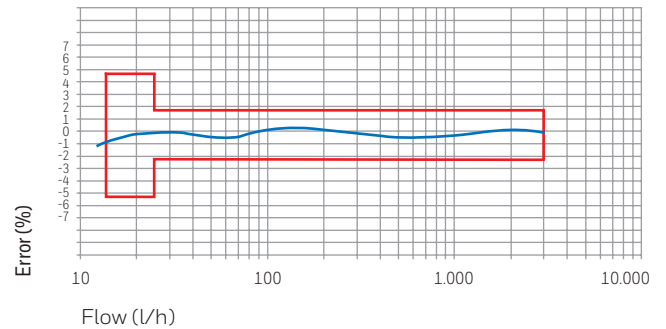
R125 METER ACCURACY

Q3 2,5



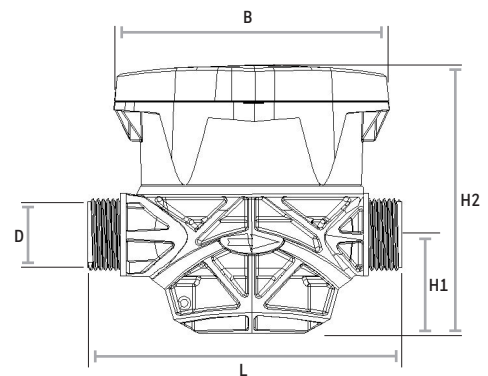
R160 METER ACCURACY

Q3 2,5



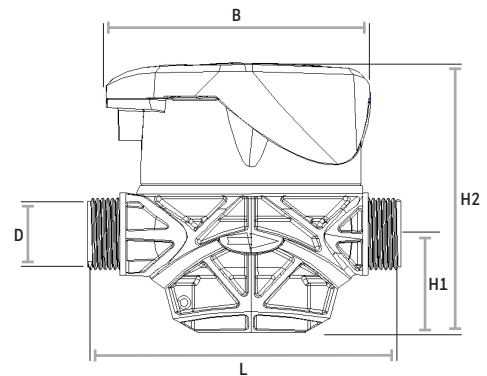
WEIGHTS & DIMENSIONS STANDARD VERSION

SIZE			13/15
Distance across threads	L	mm	115
Height lid open		mm	173
Height lid closed	H2	mm	98
Height center line	H1	mm	36
Width	B	mm	100
Threads	D	"	7/8 x 3/4 3/4 x 3/4
Weight aprox. (L115)		kg	0,35



WEIGHTS & DIMENSIONS INCLINED REGISTER VERSION

SIZE			13/15
Distance across threads	L	mm	115
Height lid open		mm	173
Height lid closed	H2	mm	98
Height center line	H1	mm	36
Width	B	mm	97
Threads	D	"	7/8 x 3/4 3/4 x 3/4
Weight aprox. (L115)		kg	0,34



More información

www.elster-iberconta.com

Elster Medición, S.A.U.

Pol. Masti-Loidi, 13
C.P.: 20100 Errenteria
Guipúzcoa (ESPAÑA)
T +34 911 33 44 88
+34 901 00 77 88
F +34 912 10 72 37

www.elster-iberconta.com

All rights reserved.
The company's policy is one of continuous improvement and the right is reserved to modify the specifications without notice.

Rev 10/2017
© 2017 Honeywell International Inc.

Honeywell