

S220

Single jet and domestic mechanical meter

S220 water meter is part of the velocity and single jet Honeywell's product portfolio. Designed for domestic use and following the parameters of normative ISO 4064, provides a high accuracy during the meter's lifetime.

The register has a pre-installation to install easily a bidirectional inductive pulse (check Falcon PR6 pulser data sheet) or radio integrate module (check TPR11 data sheet).

The meter is available with an inclined register, making easy the reading in facilities with difficult access.



MAIN FEATURES

- Brass body, protected by lower housing.
- High protection against moisture and damage. IP68.
- Magnetic transmission gearless in water.
- Dry type, 350° rotating register.
- Register with 5 number wheels for m³.
- Size 13/15 y 20 mm for flow of work from (Q3) 2,5 and 4 m³/h.
- R250 for horizontal installation and R80 for vertical installation.
- Pre-installation for bidirectional inductive pulse transmitter or radio module.
- Lengths and threads compatible with other meters models.
- Water temperature 50 °C, although the meter support 60 °C peaks up without deterioration metrological.
- Removed lid.
- Mechanical sealing system that guarantees the inviolability of the meter.
- Certificate agree with MID Directive and OIML R49.
- Certificate of products in contact with water for human consumption.

PERFORMANCE DATA

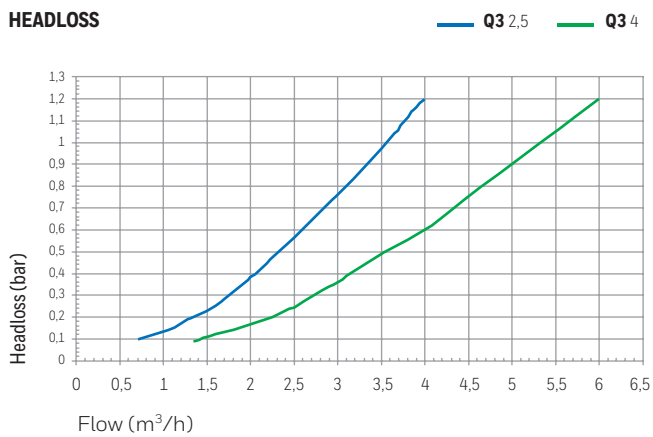
SIZE			13/15	20
Accuracy	R		250	250
Max. Flow Rate	Q4 (±2%)	m ³ /h	3,125	5
Permanent Flow Rate	Q3 (±2%)	m ³ /h	2,5	4
Transitional Flow Rate	Q2 (±2%)	l/h	16	25,6
Min. Flow Rate	Q1 (±5%)	l/h	10	16
Starting Flow Rate		l/h	3 - 4,5	5 - 6,5
Press. loss at Q3		bar		0,6
Nominal Press	PN	bar		16

OUTPUT DATA

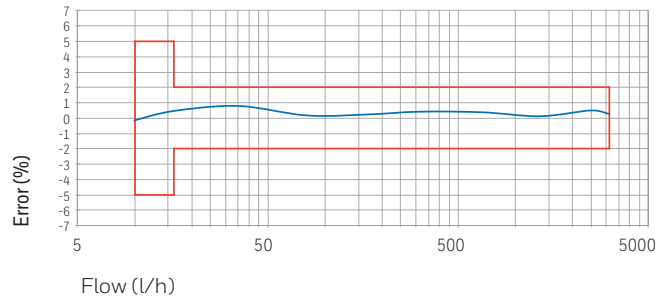
SIZE			13/15	20
Display Resolution		liter		0,05
Max. Display		m ³		99.999
Pulse output		l/p		1

S220 Water Metering

HEADLOSS

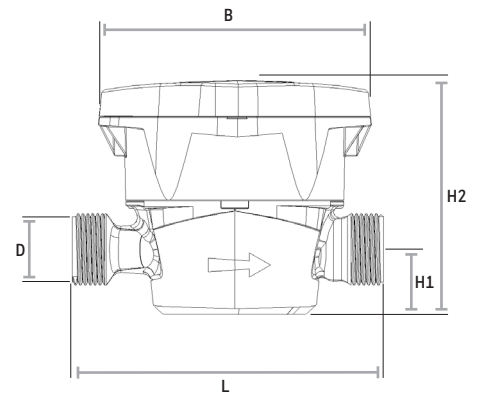


METER ACCURACY



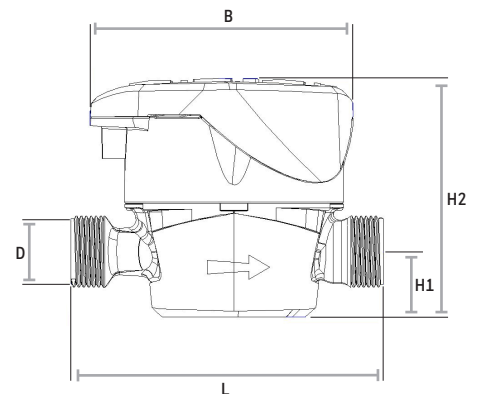
WEIGHTS & DIMENSIONS STANDARD VERSION

SIZE			13/15	20
Distance across threads	L	mm	100* a 190	115 a 190
Height lid open		mm	161	161
Height lid closed	H2	mm	86	86
Height center line	H1	mm	24	24
Width	B	mm	100	100
Threads	D	"	7/8 x 3/4 3/4 x 3/4	1 x 1
Weight aprox. (L115)		kg	0,52	0,56



WEIGHTS & DIMENSIONS INCLINED REGISTER VERSION

SIZE			13/15	20
Distance across threads	L	mm	100* a 190	115 a 190
Height lid open		mm	161	161
Height lid closed	H2	mm	86	86
Height center line	H1	mm	24	24
Width	B	mm	97	97
Threads	D	"	7/8 x 3/4 3/4 x 3/4	1 x 1
Weight aprox. (L115)		kg	0,52	0,56



* For length 100 mm, threads 3/4 x 1/2

More information

www.elster-iberconta.com

Elster Medición, S.A.U.

Pol. Masti-Loidi, 13
C.P.: 20100 Errenteria
Guipúzcoa (SPAIN)

T +34 911 33 44 88

+34 901 00 77 88

F +34 912 10 72 37

www.elster-iberconta.com

All rights reserved.

The company's policy is one of continuous improvement and the right is reserved to modify the specifications without notice.

Rev 1.0110/2017

© 2017 Honeywell International Inc.

Honeywell