

V200P/V210P Volumetric polymer piston meters

Product Specification

- Volumetric piston meters for cold water
- Nominal value Q_3 2.5/4 m³ /h
- EC-type certification (MID) to R400
- Installation in any position
- Lead-free, light and corrosion-resistant
- Quiet operation
- Anti-misting counter mechanism: IP68
- Communication interface without magnetic influence

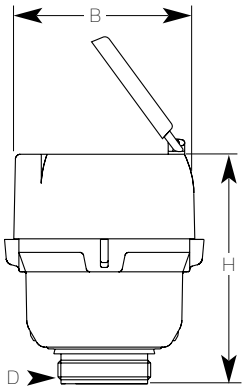


COUNTER TYPE		V200P	V210P	V200P
COUNTER SIZE / PERMANENT FLOW RATE*	Q_3 m ³ /h	2.5	2.5	4.0
NOMINAL WIDTH	DN mm	15	15	20
	DN inch	1/2	1/2	3/4
DIMENSIONS				
D COUNTER CONNECTION THREAD	ISO 228/1 inch	G 3/4" A	G 1 1/2" A	G 1" A
SCREW CONNECTION THREAD	ISO 7/1 inch	R 1/2	–	R 3/4
L LENGTH, STANDARD	mm	110, 115, 134, 165, 170	–	165, 190
B COUNTER DIAMETER	mm	95	95	103
H HEIGHT	mm	125	128	149
WEIGHT	approx. kg	0.57 (165 mm)	0.48	0.88 (190 mm)
PERFORMANCE DATA				
OVERLOAD FLOW RATE	Q_4 m ³ /h	3.1	3.1	5.0
TRANSITIONAL FLOW RATE	Q_2 l/h	10	10	16
MINIMUM FLOW RATE	Q_1 l/h	6.3	6.3	12.7
START-UP	l/h	0.5	0.5	2
MEASURING RANGE	Q_3/Q_1	R400	R400	R315
PERMANENT FLOW RATE	Q_3 l/h	2500	2500	4000
TEMPERATURE CLASS MAT	T_{max} °C	30	30	30
PRESSURE CLASS MAP	PN	16	16	16
APPROX CAPACITY WITH 1 BAR PRESSURE LOSS	m ³ /h	3.7	3.7	5.2

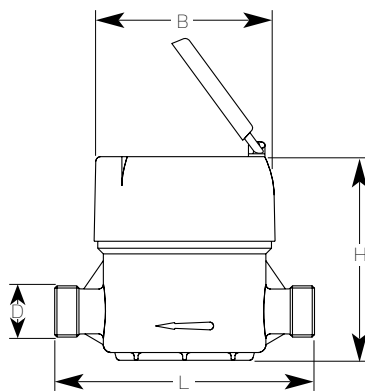
* $Q_3 = 2.5$ corresponds to nominal value Q_n 1.5; $Q_3 = 4.0$ corresponds to nominal value Q_n 2.5

DIMENSIONAL DRAWING

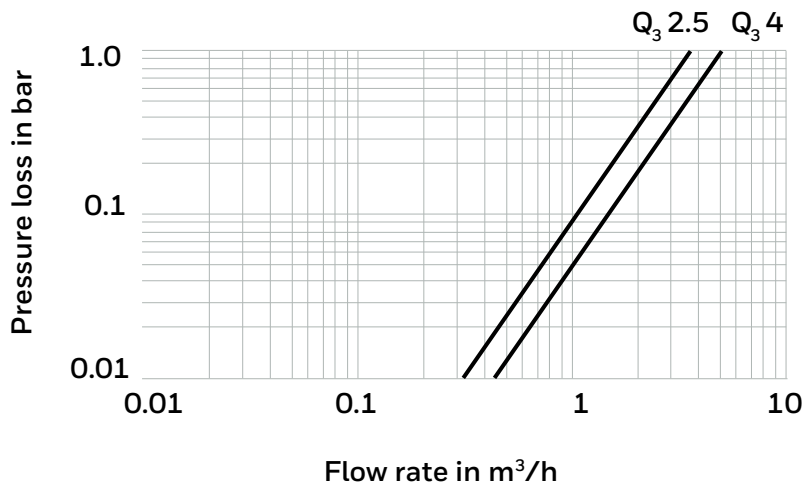
V210P



V200P



V200P



V210P with concentric connection for subsurface chambers

RETROFITTABLE COMMUNICATION MODULES

FALCON PULSE MODULE	PR6
FALCON RADIO MODULE	TPR6 RF
FALCON M-BUS MODULE PER DIN EN 1434	PR6 M



For technical data see data sheet Falcon_D_14.04

For more information

www.elstermetering.com

Elster Water Metering Ltd

130 Camford Way
Sundon Park, Luton
Bedfordshire, LU3 3AN
United Kingdom
T +44 1582 846400
F +44 1582 564728
water.metering@elster.com

All rights reserved. The company's policy is one of continuous product improvement and the right is reserved to modify the specifications contained herein without notice. These products have been manufactured with current technology and in accordance with the applicable referenced standards.

V200P Specs sheet 03/18
Lit Ref: 8518A23113
© 2018 Honeywell International Inc.

